



**Innovative Technology**

INTELLIGENCE IN VALIDATION

## NV9 USB+

*“Enhanced sensing technology”*



- Exceptional field reliability
- Enhanced sensing technology
- Cashbox & bezel options to suit all applications
- Future proof
- Add on recycler available



### FEATURES

- Various cashbox and bezel options
- Proven field reliability
- Enhanced sensing technology = high acceptance rate for multi-currency
- Easy maintenance, free firmware updates
- Over 100 different world currencies accepted
- Optional float unit



### BENEFITS

- Versatile validator, suitable for all applications
- Lowest cost of ownership
- Takes more cash
- Future proof - quick & easy updates via USB, PC or handheld programmer
- A truly global product
- Ability to add bill recycling

## Technical Specification

### Power

Requirements: 12V  
Standby: 0.2A  
Running: 1A  
Peak: 1.5A

### Interfaces

USB option  
Open collector

### Protocols

SSP	Parallel
ccTalk	Binary
MDB	Serial
Pulse	

### Bezel Options

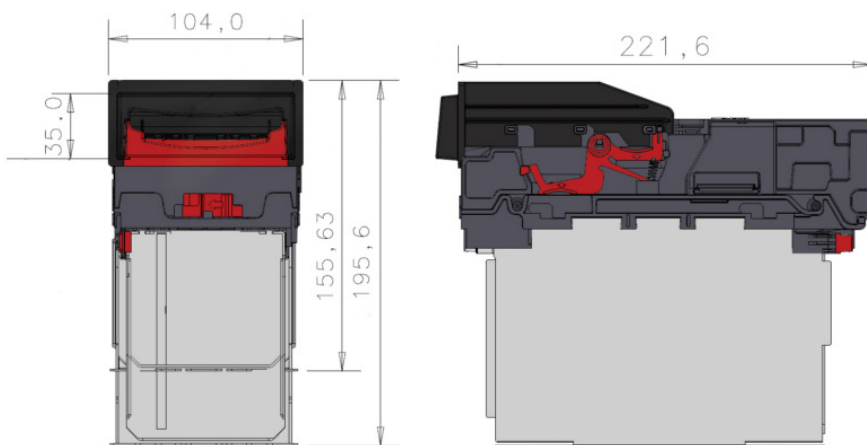
66/69/82mm width	Vertical up/down
Rainbow illumination	Horizontal
Various snout options	

### Cashbox Options

300/600 slide  
300/600 clip  
300 lockable

### MCBF

200,000



- Weight: 1.7kg

**VIEW MORE  
NOTE HANDLING  
PRODUCTS >>**



### Find Us

#### Head Office

Innovative Technology Ltd (UK)  
Innovative Business Park  
Derker Street  
Oldham  
OL1 4EQ



### Telephone

+44 (0) 161 626 9999



### Email

sales@innovative-technology.com