



Innovative Technology

INTELLIGENCE IN VALIDATION



CBA9

*"Compact Bill Acceptor
designed for Southeast Asia"*

Available for the
following currencies:



- Enhanced sensing technology
- Exceptional field reliability



FEATURES

- Enhanced sensing technology
- Proven field reliability
- MDB remote download
- Free, fast & easy firmware updates high speed bill acceptance



BENEFITS

- High acceptance rates
- Cost effective bill validator
- Update over comms line
- Future proof - update via USB, PC or handheld programmer

Technical Specification

Power

Requirements: 12V
Standby: 0.2A
Running: 1A
Peak: 3A

Bezel Options

Horizontal/Vertical
Rainbow illumination

Cashbox Options

300/600 slide
300/600 clip

Protocol

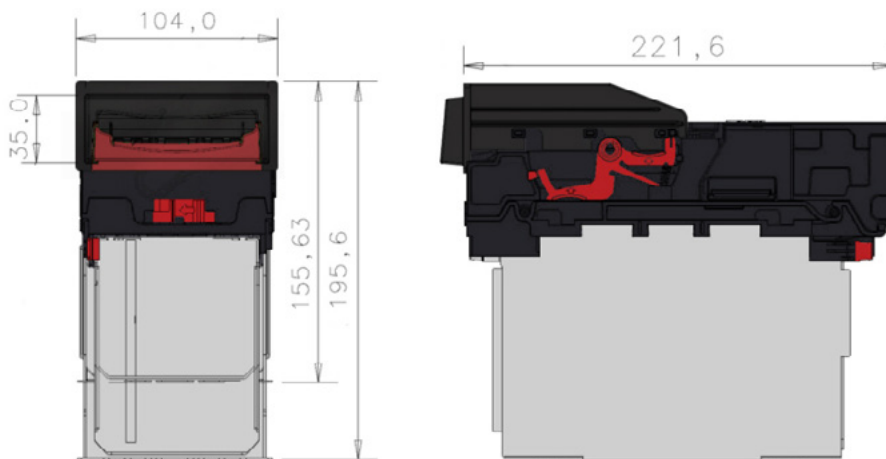
SSP
MDB
Pulse (PL1)

Interfaces

USB
Open Collector

Available Currencies

China	Taiwan
Indonesia	Vietnam
Thailand	Malaysia
Philippines	Singapore



- Weight: 1.7kg

**VIEW MORE
NOTE HANDLING
PRODUCTS >>**



Innovative Technology Ltd (UK)
Innovative Business Park
Derker Street
Oldham
OL1 4EQ



+44 (0) 161 626 9999



sales@innovative-technology.com