



Innovative Technology

POWERING TRANSACTIONS AND INTERACTIONS

Safe Interface

*“Advanced note validator
for SMART Safes”*



Safe Interface with
Bunch Note Feeder
and 2200 Cashbox

Features...



FEATURES

- Utilises the NV200 Spectral
- Designed for smart safe/deposit applications
- Two size options - 27mm or 80mm
- Independent service from CIT
- Easy maintenance
- Various cashbox options (500, 1000, 2200)
- Option to add a 100 Bunch Note Feeder
- No special software required
- Increase security while validator head is still accessible
- Reduce cash shrinkage

HARDWARE OPTIONS



Safe Interface with
500 note cashbox



Safe Interface with
1000 note cashbox



Safe Interface with
2200 note cashbox

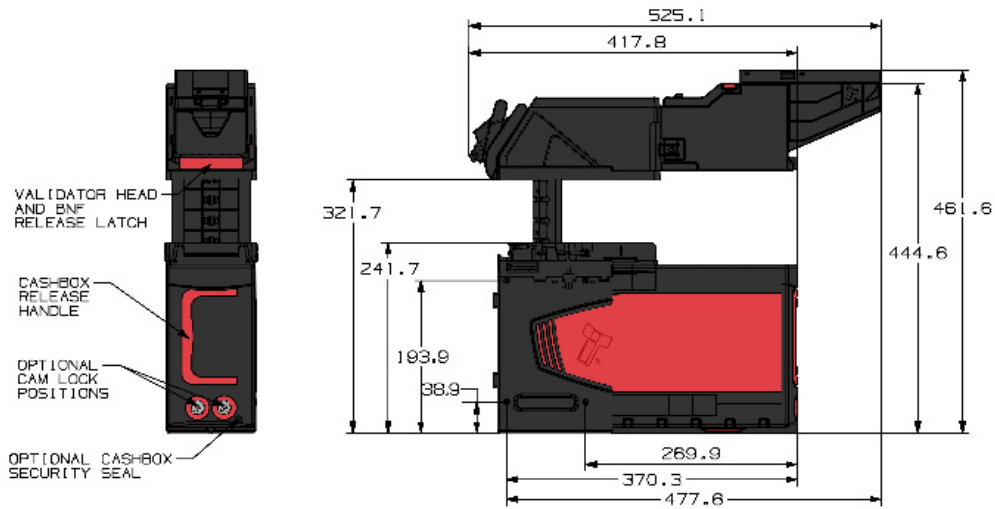


Safe Interface with
Freefall



Cashbox Options

	80mm	27mm	80mm	27mm	80mm	27mm	80mm	27mm	80mm	27mm
	SI-001	SI-002	SI-101	SI-102	SI-201	SI-202	SI-301	SI-302	SI-501	SI-502
BNF	●	●								
500 Note			●	●						
1000 Note					●	●				
2200 Note							●	●		
Freefall									●	●



- Weight: 6.5kg



Find Us

Head Office

Innovative Technology Ltd (UK)
 Innovative Business Park
 Derker Street
 Oldham
 OL1 4EQ



Telephone

+44 (0) 161 626 9999



Email

sales@innovative-technology.com