



Innovative Technology

POWERING TRANSACTIONS AND INTERACTIONS

Spectral BNF

"Bunch Note Feeder"

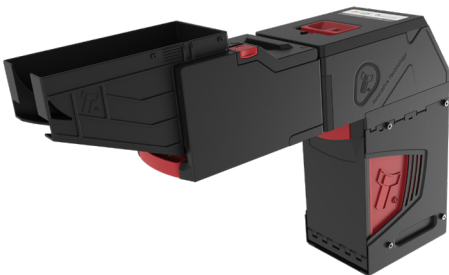


BNF with NV200 Spectral
+ 2200 Note Cashbox

FEATURES

- 100 note capacity bunch feeder
- Acceptance speed <2 seconds
- Constant refill available
- Compatible with all NV200 Spectral products including Safe Interface
- Separate reject tray
- Cost efficient refill
- Lower operational costs
- Compatible with all NV200 Spectral currency datasets
- Quick and easy install & maintenance

HARDWARE OPTIONS



BNF with NV200 Spectral
+ 500 Note Cashbox



BNF with NV200 Spectral
+1000 Note Cashbox

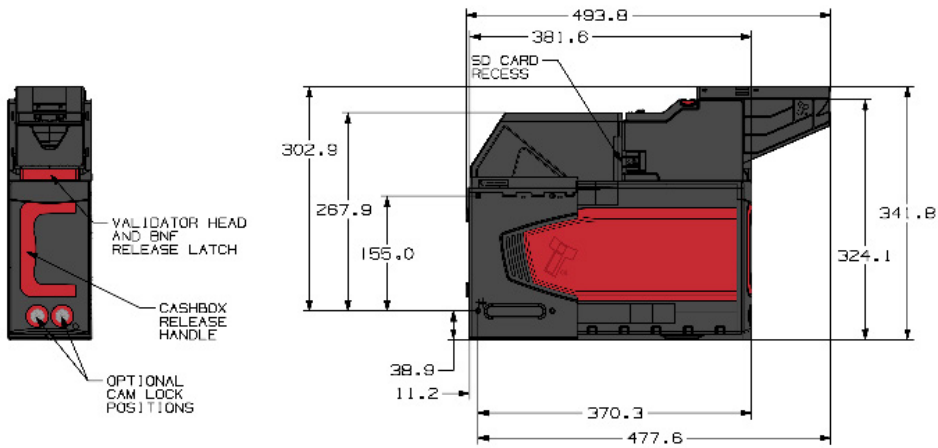


BNF with Freefall



Cashbox Options

	BNF-100	BNF-200	BNF-300	BNF-500
500 Note	●			
1000 Note		●		
2200 Note			●	
Freefall				●



Find Us

Head Office

Innovative Technology Ltd (UK)
 Innovative Business Park
 Derker Street
 Oldham
 OL1 4EQ



Telephone

+44 (0) 161 626 9999



Email

sales@innovative-technology.com