



Innovative Technology

POWERING TRANSACTIONS AND INTERACTIONS

NV9 Spectral

“The most technically advanced note validator in its class”



Spectral
NV9

- Full note high resolution imaging - 1.28 million data points
- Faster note to note processing
- Optical and mechanical anti-strimming technology



FEATURES

- Full note high resolution imaging - 1.28 million datapoints
- Fast note to note processing
- Optical & mechanical anti-strimming technology
- Various cashbox and bezel options
- Easy maintenance, free firmware updates



BENEFITS

- Unrivalled genuine note detection & protection against fraudulent notes
- Speeds up transaction time & operator profitability
- Outstanding fraud protection
- Versatile validator, suitable for all applications
- Future proof – quick & easy updates via USB, PC or handheld programmer



Technical Specification

Power

Requirements: 12 /24 V
Standby: 300mA / 130mA
Running: 2A / 1.5A
Peak: 2.5A / 2A

Interfaces

USB option
Open collector

MCBF

200,000

Protocols

SSP
*others on request

Bezel Options

66/69/82mm width
Rainbow illumination
Horizontal
Vertical up/down
Various snout options

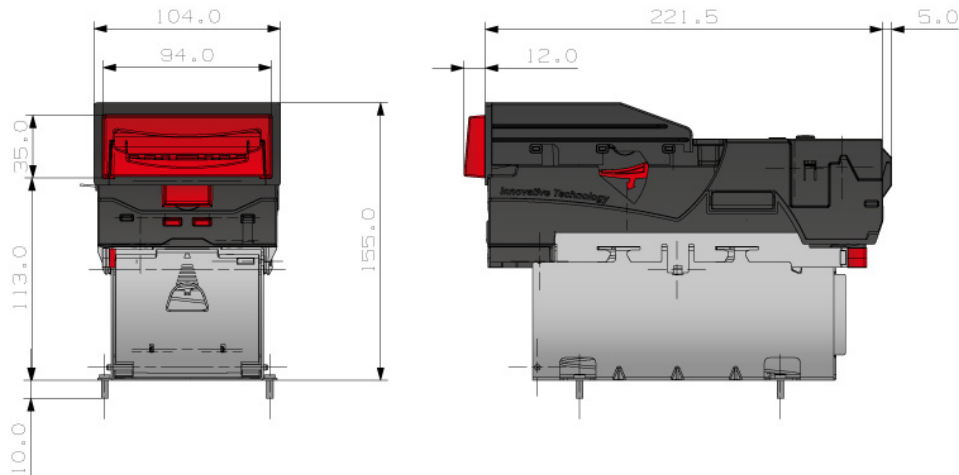
Cashbox Options

300/600 slide
300/600 clip
300 lockable

** Some national currencies differ in thickness and circulation practices. Depending on usage, this can impact cashbox capacities by 10-15%.

Note Dimensions

Width: 60 - 82 mm
Length: 115 - 167 mm



- Weight: 1.4kg



Find Us

Head Office

Innovative Technology Ltd (UK)
Innovative Business Park
Derker Street
Oldham
OL1 4EQ



Telephone

+44 (0) 161 626 9999



Email

sales@innovative-technology.com